
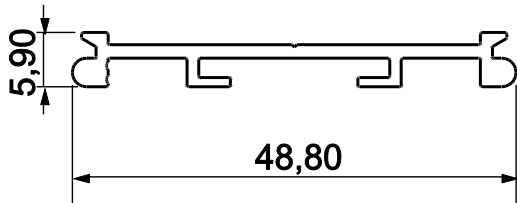


Profile

Aluminiumprofil Ultimate HALFPIPE



Drees Lichttechnik GmbH Sundern/ GERMANY	Aluminiumprofil Ultimate HALFPIPE 550-912-xx	Kategorie: Profile																
		2015-09-01																
		R003																
																		
Aluminiumprofil für LED-Leiterplatten bis zu einer Breite von 40mm aluminium profile for LED-PCB with a width up to 40mm																		
Technische Daten / specifications:																		
Gehäusematerial case material		Aluminium Al Mg Si 0,5 F 22, eloxiert E6/EV1 12my aluminium Al Mg Si 0,5 F 22, anodized E6/EV1 12my																
Abmessungen (LxBxH) dimensions (LxWxH)		L x 48,8 x 5,9mm																
Gewicht / m weight / m		ca. 270g																
<table border="1"> <thead> <tr> <th>Länge L mm length L mm</th> <th>Artikelnummer article number</th> </tr> </thead> <tbody> <tr> <td>1000</td> <td>550-912-01</td> </tr> <tr> <td>2000</td> <td>550-912-02</td> </tr> <tr> <td>3000</td> <td>550-912-03</td> </tr> <tr> <td>4000</td> <td>550-912-04</td> </tr> <tr> <td>5000</td> <td>550-912-05</td> </tr> <tr> <td>6000*</td> <td>550-912-33</td> </tr> <tr> <td>Profilzuschnitt profile cut</td> <td>550-912-99</td> </tr> </tbody> </table>			Länge L mm length L mm	Artikelnummer article number	1000	550-912-01	2000	550-912-02	3000	550-912-03	4000	550-912-04	5000	550-912-05	6000*	550-912-33	Profilzuschnitt profile cut	550-912-99
Länge L mm length L mm	Artikelnummer article number																	
1000	550-912-01																	
2000	550-912-02																	
3000	550-912-03																	
4000	550-912-04																	
5000	550-912-05																	
6000*	550-912-33																	
Profilzuschnitt profile cut	550-912-99																	
* Lieferung in Herstelllänge ca. 6050-6100mm * delivery in standard length as produced approx. 6050-6100mm																		
Toleranzen nach DIN EN 12020-2 tolerances according to DIN EN 12020-2																		
<table border="1"> <thead> <tr> <th>Zubehör accessories</th> <th>Artikelnummer article number</th> </tr> </thead> <tbody> <tr> <td>Profilabdeckung profile cover</td> <td>548-905-xx</td> </tr> <tr> <td>Profilbefestigungsring profile mounting ring</td> <td>550-490-86</td> </tr> <tr> <td>Profilbefestigungsmagnet profile mounting magnet</td> <td>550-875-86</td> </tr> </tbody> </table>			Zubehör accessories	Artikelnummer article number	Profilabdeckung profile cover	548-905-xx	Profilbefestigungsring profile mounting ring	550-490-86	Profilbefestigungsmagnet profile mounting magnet	550-875-86								
Zubehör accessories	Artikelnummer article number																	
Profilabdeckung profile cover	548-905-xx																	
Profilbefestigungsring profile mounting ring	550-490-86																	
Profilbefestigungsmagnet profile mounting magnet	550-875-86																	