
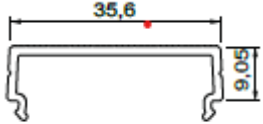


<b>Drees GmbH</b> <b>Sundern / GERMANY</b>	<b>501-595-1XXXX</b>	Kategorie: LED-Profile																
		04.03.2024																
		R001																
																		
EPIC MICROPRISMATIC Profilabdeckung Für eine optimale Entblendung passend zur EPIC Profilsreihe EPIC MICROPRISMATIC profile cover For optimum glare control to match the EPIC profile series		IP20																
Technische Daten / specifications:																		
Transmissionsgrad (%) transmission factor	80%																	
Material Material	PMMA																	
Oberfläche surface	klar/clear																	
Artikelbeschreibung article description	EPIC Microprismatik PMMA, schlagzäh EPIC Microprismatic PMMA, impact resistant																	
<table border="1" style="width: 100%; border-collapse: collapse;"> <thead> <tr> <th style="text-align: left;">Abmessungen</th> <th style="text-align: left;">Artikelnr</th> </tr> <tr> <th style="text-align: left;">dimensions</th> <th style="text-align: left;">item number</th> </tr> </thead> <tbody> <tr> <td>(LxBxH) 2000x35,6x9,05mm</td> <td>501-595-12000</td> </tr> <tr> <td>(LxBxH) 3000x35,6x9,05mm</td> <td>501-595-13000</td> </tr> <tr> <td>(LxBxH) 4000x35,6x9,05mm</td> <td>501-595-14000</td> </tr> <tr> <td>(LxBxH) 5000x35,6x9,05mm</td> <td>501-595-15000</td> </tr> <tr> <td>(LxBxH) 6000x35,6x9,05mm</td> <td>501-595-16000*</td> </tr> <tr> <td>Profilzuschnitt / profile cut</td> <td>501-595-1</td> </tr> </tbody> </table>			Abmessungen	Artikelnr	dimensions	item number	(LxBxH) 2000x35,6x9,05mm	501-595-12000	(LxBxH) 3000x35,6x9,05mm	501-595-13000	(LxBxH) 4000x35,6x9,05mm	501-595-14000	(LxBxH) 5000x35,6x9,05mm	501-595-15000	(LxBxH) 6000x35,6x9,05mm	501-595-16000*	Profilzuschnitt / profile cut	501-595-1
Abmessungen	Artikelnr																	
dimensions	item number																	
(LxBxH) 2000x35,6x9,05mm	501-595-12000																	
(LxBxH) 3000x35,6x9,05mm	501-595-13000																	
(LxBxH) 4000x35,6x9,05mm	501-595-14000																	
(LxBxH) 5000x35,6x9,05mm	501-595-15000																	
(LxBxH) 6000x35,6x9,05mm	501-595-16000*																	
Profilzuschnitt / profile cut	501-595-1																	
* Lieferung in Herstelllänge ca.3050-3100mm/ 6050-6100mm * delivery in standard length as produced approx. 6050-6100mm																		
Montagehinweis: Aufgrund unterschiedlicher Temperaturkoeffizienten der Materialien Aluminium und PMMA, sind bei einer Temperaturveränderung von 20°C Ausdehnungsunterschiede von bis zu 1,2mm je Meter möglich. Assembly instructions: Due to different temperature coefficient of materials aluminum and PMMA, temperature changes of 20°C can cause an expansion difference of up to 1.2mm per meter.																		