
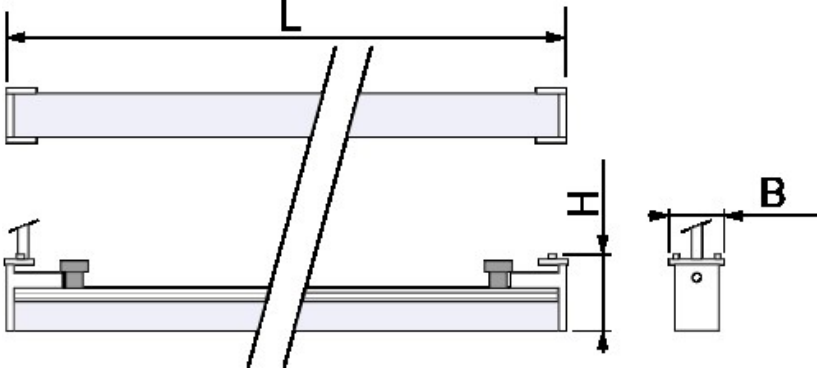



| | | |
|--|--|--------------------------------|
| Drees GmbH Sundern / GERMANY | 605-01X-XXXX | Kategorie: LED-Leuchten Indoor |
| | | 15.11.2023 |
| | | R001 |
|  |  | |
| <p>LIGHTS² T8 LED-Umrüstset zur einfachen Lichtsanierung bestehender Leuchten. 12 Standardgrößen von 569mm-1522mm in 3000K/4000K, CRI>90 mit bis zu 3300lm.Schnellmontage via Magnet mit Abstandshalter und Plug & Play-Stecksystem. Passgenau für vorhandene Fassung-Stanzungen. Sonderlösungen (Größe, Farbtemperatur, CRI, Kabellänge...) fertigen wir für Sie gerne</p> <p>LIGHTS² T8 LED conversion kit for easy light renovation of existing luminaires. 12 standard sizes from 569mm -1522mm in 3000K/4000K, CRI>90 with up to 3300lm.Quick mounting via magnet with spacer and plug & play plug-in system. We are happy to manufacture special solutions (size, color temperature, CRI, cable length....) for you.</p> | | |
|  | | |
| Technische Daten / specifications: | | |
| Nennspannung rated voltage | 24Vdc | |
| Schutzklasse safety class | III | |
| Schutzart protection type | IP20 | |
| CRI CRI | Ra > 90 | |
| Halbwertswinkel beam angle | 180° | |
| Lebensdauer L70B10 life time | 45000h | |
| LED-Typ LED-Typ | 3040 SMD | |
| Dimmbar dimmable | Ja YES | |
| Leitung cable | mit 3A Steckerleitung | |
| Material material | Aluminium/ PC aluminium/ pc | |

Farbe
 colour

 weiß RAL 9016
 white

















 Folgende Daten bei ta=25°C
 following information at ta= 25°C

| Nennleistung (Pon in W) | Farbtemperatur | Lichtstrom (lm) | Abmessungen | Artikelnr |
|------------------------------------|-----------------------|------------------------|-----------------------------|------------------|
| rated power | CCT | luminous flux | dimensions | item number |
| 11,5W | 3000K | 1320lm | (LxBxH) 612x28,5x35,2mm | 605-010-3001 |
| 11,5W | 4000K | 1459lm | (LxBxH) 612x28,5x35,2mm | 605-010-4001 |
| 13,4W | 3000K | 1540lm | (LxBxH) 742x28,5x35,2mm | 605-011-3001 |
| 13,4W | 4000K | 1702lm | (LxBxH) 742x28,5x35,2mm | 605-011-4001 |
| 14,4W | 3000K | 1650lm | (LxBxH) 764x28,5x35,2mm | 605-017-3001 |
| 14,4W | 4000K | 1825lm | (LxBxH) 764x28,5x35,2mm | 605-017-4001 |
| 17,3W | 3000K | 1980lm | (LxBxH) 917x28,5x35,2mm | 605-012-3001 |
| 17,3W | 4000K | 2188lm | (LxBxH) 917x28,5x35,2mm | 605-012-4001 |
| 18,2W | 3000K | 2090lm | (LxBxH) 992x28,5x35,2mm | 605-013-3001 |
| 18,2W | 4000K | 2310lm | (LxBxH) 992x28,5x35,2mm | 605-013-4001 |
| 20,2W | 3000K | 2310lm | (LxBxH) 1069x28,5x35,2mm | 605-014-3001 |
| 20,2W | 4000K | 2554lm | (LxBxH) 1069x28,5x35,2mm | 605-014-4001 |
| 23W | 3000K | 2640lm | (LxBxH) 1222x28,5x35,2mm | 605-015-3001 |
| 23W | 4000K | 2918lm | (LxBxH) 1222x28,5x35,2mm | 605-015-4001 |
| 28,8W | 3000K | 3300lm | (LxBxH) 1522x28,5x35,2mm | 605-016-3001 |
| 28,8W | 4000K | 3648lm | (LxBxH) 1522x28,5x35,2mm | 605-016-4001 |

Bei Einbau der Leuchte muss darauf geachtet werden, dass eine ausreichende Luftzirkulation um den Kühlkörper herum gewährleistet ist.

Installing the luminaire you have to ensure an adequate circulation of air around the heat sink.

Ökodesign-Richtlinie / ecodesign directive

| Art-Nr. | Lichtquelle | Energieeffizienzklasse |
|-----------------------------|---|---|
| item no. | Light source | energy efficiency class |
| 605-010-3001 541-384-3000 | https://eprel.ec.europa.eu/qr/978592 |  |
| 605-010-4001 541-384-4000 | https://eprel.ec.europa.eu/qr/974506 |  |
| 605-011-3001 541-384-3000 | https://eprel.ec.europa.eu/qr/978592 |  |
| 605-011-4001 541-384-4000 | https://eprel.ec.europa.eu/qr/974506 |  |
| 605-017-3001 541-384-3000 | https://eprel.ec.europa.eu/qr/978592 |  |
| 605-017-4001 541-384-4000 | https://eprel.ec.europa.eu/qr/974506 |  |
| 605-012-3001 541-384-3000 | https://eprel.ec.europa.eu/qr/978592 |  |
| 605-012-4001 541-384-4000 | https://eprel.ec.europa.eu/qr/974506 |  |
| 605-013-3001 541-384-3000 | https://eprel.ec.europa.eu/qr/978592 |  |
| 605-013-4001 541-384-4000 | https://eprel.ec.europa.eu/qr/974506 |  |
| 605-014-3001 541-384-3000 | https://eprel.ec.europa.eu/qr/978592 |  |
| 605-014-4001 541-384-4000 | https://eprel.ec.europa.eu/qr/974506 |  |
| 605-015-3001 541-384-3000 | https://eprel.ec.europa.eu/qr/978592 |  |
| 605-015-4001 541-384-4000 | https://eprel.ec.europa.eu/qr/974506 |  |
| 605-016-3001 541-384-3000 | https://eprel.ec.europa.eu/qr/978592 |  |
| 605-016-4001 541-384-4000 | https://eprel.ec.europa.eu/qr/974506 |  |

ZUBEHOER

passende Netzteile/matching power supply

On/Off

- 605-259-50 LIGHTS² LED-Treiberset, max. 30W, sek. 24Vdc
- 605-260-50 LIGHTS² LED-Treiberset, max. 45W, sek. 24Vdc
- 605-261-50 LIGHTS² LED-Treiberset, max. 60W, sek. 24Vdc

DALI

- 605-280-50 LIGHTS² LED-Treiberset, max. 30W, sek. 24Vdc
- 605-281-50 LIGHTS² LED-Treiberset, max. 60W, sek. 24Vdc

Alle Netzteile mit Längsverbinderklemme und Plug & Play-Stecksystem