

Drees GmbH Sundern / GERMANY	CC series 552-560-1040	Kategorie: LED-Betriebsgeräte und Steuerungen									
		14.09.2023									
		R001									
<table border="1" style="width: 100%;"> <tr> <td>Artikelnummer Imigy</td> <td>Artikelnummer Drees</td> </tr> <tr> <td>ECP040C0700L1 Eaglerise</td> <td>552-560-1040</td> </tr> </table>		Artikelnummer Imigy	Artikelnummer Drees	ECP040C0700L1 Eaglerise	552-560-1040						
Artikelnummer Imigy	Artikelnummer Drees										
ECP040C0700L1 Eaglerise	552-560-1040										
<p>Anzahl Geräte an Leitungsschutzschalter / max. quantity of devices at circuit breaker</p> <table border="1" style="width: 100%;"> <thead> <tr> <th rowspan="2">Artikel item</th> <th colspan="2">max. Anzahl an Sicherungsautomat</th> </tr> <tr> <th>B10</th> <th>B16</th> </tr> </thead> <tbody> <tr> <td>556-560-1040</td> <td style="text-align: center;">27</td> <td style="text-align: center;">44</td> </tr> </tbody> </table>				Artikel item	max. Anzahl an Sicherungsautomat		B10	B16	556-560-1040	27	44
Artikel item	max. Anzahl an Sicherungsautomat										
	B10	B16									
556-560-1040	27	44									

40W Constant Current -LS Series

LS-40-XXX LI4-F

■ Approve

SELV 

■ Features

- Class II, SELV, independent
- Input Voltage 220-240VAC
- Protections: SCP/OLP/OVP
- Power Factor >0.95
- Efficiency ≥87%
- 5 years warranty

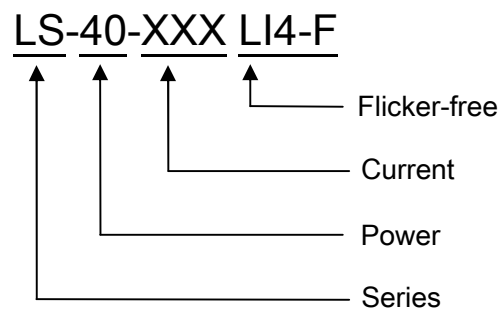
■ Applications

- LED panel
- LED spot light
- LED down light

■ Description

LS-40-XXX LI4-F is a 40W constant current LED driver with 500 to 600mA output current. With its compact dimensions from 116 x 42.5 x 27mm it is easy to integrate in LED Panel, spot and down lights product. To ensure trouble-free operation, protection is provided against output short circuit and over Load.

■ Model code



40W Constant Current -LS Series

LS-40-XXX LI4-F

■ Specification

Input	Rated input voltage	220-240VAC		
	Range of input voltage	176-264VAC		
	Range of input voltage(DC)	176-280V		
	Frequency(Hz)	0/50/60 Hz		
	Power Factor	> 0.95@230VAC, full Load		
	Displacement factor	≥0.9@Full load		
	Input Current max	0.32A MAX. @Full Load,176VAC (Please see Model list below for details)		
	Start-up time	< 0.5S		
	Unload Power Consumption	≤0.5W		
	Inrush Current	40A Max./TBDμs@230V, Full Load , 50%Ipk-50%Ipk		
	THD	< 10% @230VAC, full Load		
	Leakage Current	< 0.7mA(240VAC)		
Output	Constant Current Max. *Note.3	500mA	600mA	700mA
	Unload voltage Max.	90VDC	77VDC	67VDC
	Voltage Range(VDC)	48-80VDC	40-67VDC	34.5-55VDC
	Rated power	40W Max.	40.2W Max.	38.5 W Max.
	Current Accuracy	±5%@220-240VAC		
	Voltage Regulation	±5% @Full Load, 220-240VAC		±3% @Full Load, 220-240VAC
	Load Regulation	±5%@220-240VAC		
	Hold-up Time	1s max.@Full Load		
	Ripple& Noise *Note.2	≤±5% @Full Load , 230VAC		
	Efficiency(Typ.)	≥87% @Full Load , 230VAC		
	P _{st}	≤1@Full Load		
	SVM	≤0.4@Full Load		
	Standby Power	≤0.5W		
	Networked standby power	≤0.5W		
Minimum energy efficiency	≥83%			
Protection	Over Load Protection	103-120% Protection type: Auto Resume		
	Over Voltage Protection	> 90VDC	> 77VDC	> 67VDC
	Short circuit Protection	Protection type: Auto Resume		
Environment	Operating Temperature	-20°C...+45°C		
	t _c	85°C		
	Storage Temperature	-25°C...+60°C		
	Life time	> 50,000h@t _a =45°C, 230VAC		
Humidity	20%-90%RH			
Others	Dimension	116X42.5X27(LXWXH)mm		
Safety & EMC	Safety standards	EN 61347-1; EN61347-2-13; EN62384		
	Withstand voltage	Input-Output : 3750V/5mA/1min		
	Isolation resistance	Input-Output : ≥4MΩ@500VDC		
	EMI	EN55015; EN61000-3-2 Class C; EN61000-3-3		
	EMS	EN 61547; EN 61000-4-2; EN 61000-4-5 —1000V;		

40W Constant Current -LS Series

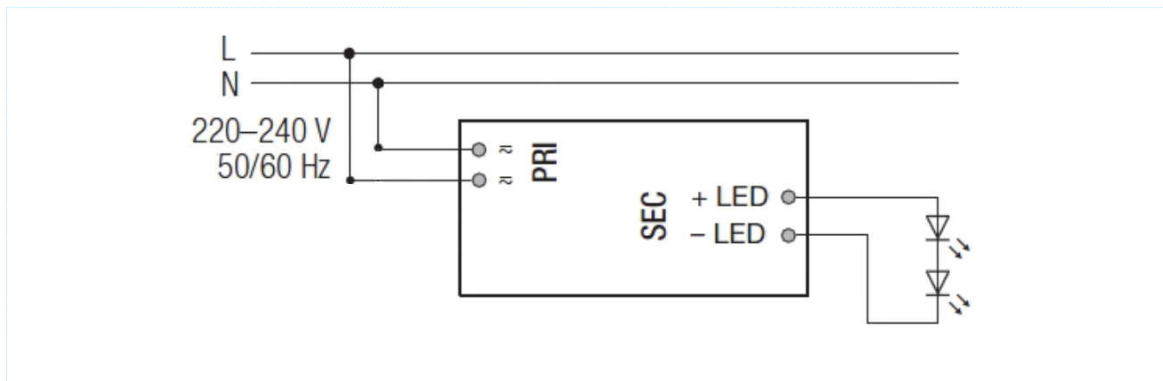
LS-40-XXX LI4-F

Note	1.All parameters NOT specially mentioned are measured at 230VAC input , full load and 25°C of ambient temperature.
	2.Ripple & Noise are measured at 20MHz of bandwidth by using a 300mm twisted pair-wire terminated with a 0.1uF & 47 uF parallel capacitor.
	3.Output current can be from 500mA to 700mA and increasing in multiples of 100mA. Please see Model list below and contact EAGLERISE for details.

Model list

NO.	Model number	Input			Output			
		Voltage (VAC)	Current (A)	Frequency (Hz)	Constant current (mA)	Normal working voltage (VDC)	No load working voltage (VDC)	P _{rated} (W)
1	LS-40-500 LI4-F	220-240	0.32	50/60	500	48-80	90	40
2	LS-40-500 LI4-F-G	220-240	0.32	50/60	500	48-80	90	40
3	LS-40-600 LI4-F	220-240	0.32	50/60	600	40-67	77	40.2
4	LS-40-600 LI4-F-G	220-240	0.32	50/60	600	40-67	77	40.2
5	LS-40-700 LI4-F	220-240	0.32	50/60	700	34.5-55	67	38.5
6	LS-40-700 LI4-F-G	220-240	0.32	50/60	700	34.5-55	67	38.5

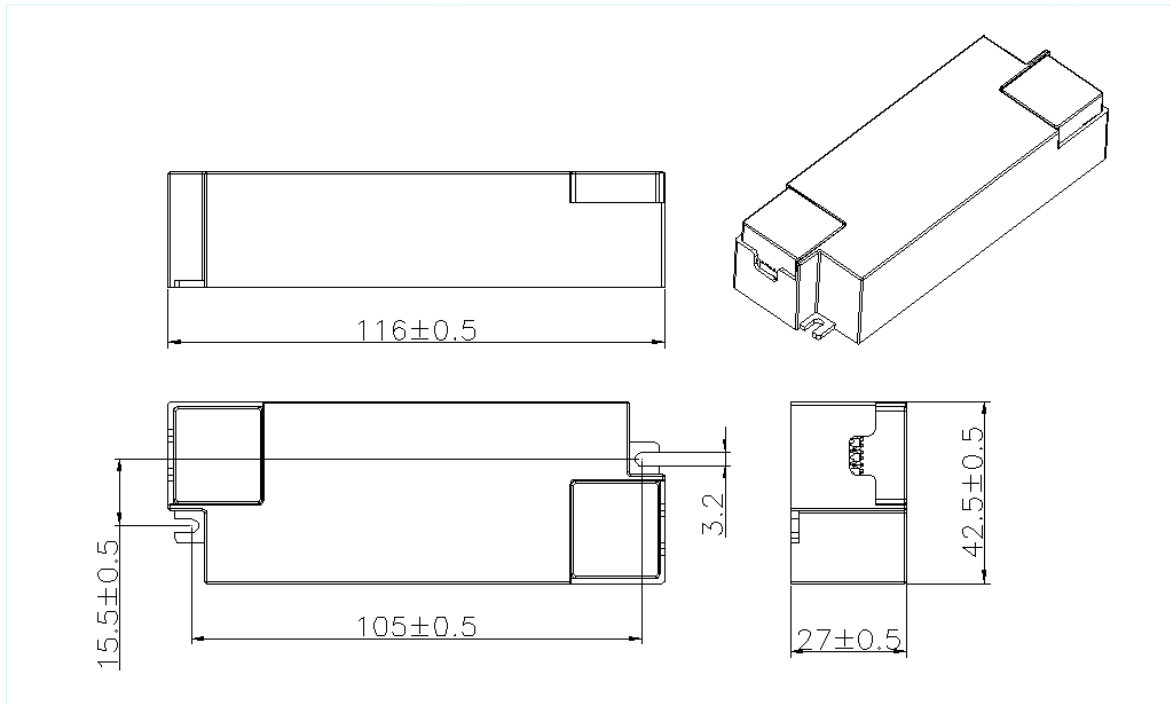
Connection diagram



40W Constant Current -LS Series

LS-40-XXX LI4-F

■2D diagram



■Operating window

