
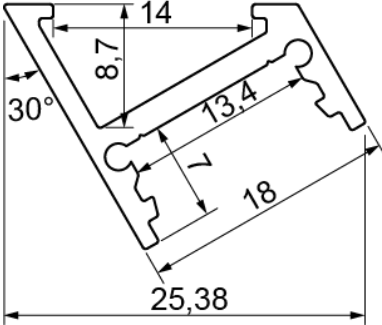


LED Profile

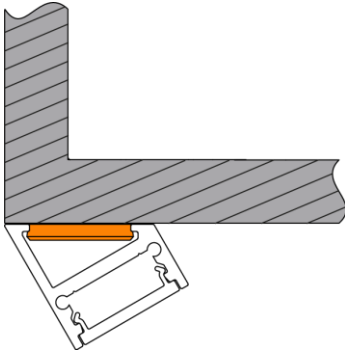


ULTIMATE



| Drees GmbH Sundern / GERMANY | ULTIMATE 500-833-XXXX | Kategorie: LED Profile | | | | | | | | | | | | | | | | | | | | | | | | | | | |
|---|--|------------------------|-------------|---------|-----------|------------|--------|----------|------------|----------|---------------|------------|----------|---------------|------------|----------|---------------|------------|----------|---------------|------------|----------|---------------|--------------|-----------|---------------|-----------------|-------------|-----------|
| | | 07.01.2020 | | | | | | | | | | | | | | | | | | | | | | | | | | | |
| | | R001 | | | | | | | | | | | | | | | | | | | | | | | | | | | |
|  |  | | | | | | | | | | | | | | | | | | | | | | | | | | | | |
| ULTIMATE SLOPE Alu LED Profil, silberfarbig für flexible LED Leiterplatten bis zu einer Breite von 12,8mm ULTIMATE SLOPE aluminium LED profile, silver coloured for flexible LED-PCB with a breadth of up to 12,8mm | | IP20 | | | | | | | | | | | | | | | | | | | | | | | | | | | |
| Technische Daten / specifications: Material Aluminium Al Mg Si 0,5 F 22, eloxiert E6/EV1 10my material Schwenkbar 60° (Neigungswinkel) tiltable | | | | | | | | | | | | | | | | | | | | | | | | | | | | | |
| <table border="1" style="width: 100%; border-collapse: collapse;"> <thead> <tr> <th style="text-align: left;">Abmessungen</th> <th style="text-align: left;">Gewicht</th> <th style="text-align: left;">Artikelnr</th> </tr> </thead> <tbody> <tr> <td>dimensions</td> <td>weight</td> <td>item no.</td> </tr> <tr> <td>(L) 1000mm</td> <td>ca. 190g</td> <td>500-833-01000</td> </tr> <tr> <td>(L) 2000mm</td> <td>ca. 380g</td> <td>500-833-02000</td> </tr> <tr> <td>(L) 3000mm</td> <td>ca. 570g</td> <td>500-833-03000</td> </tr> <tr> <td>(L) 4000mm</td> <td>ca. 760g</td> <td>500-833-04000</td> </tr> <tr> <td>(L) 5000mm</td> <td>ca. 950g</td> <td>500-833-05000</td> </tr> <tr> <td>(L) 6000mm *</td> <td>ca. 1140g</td> <td>500-833-06000</td> </tr> <tr> <td>Profilzuschnitt</td> <td>typ. 190g/m</td> <td>500-833-0</td> </tr> </tbody> </table> | | | Abmessungen | Gewicht | Artikelnr | dimensions | weight | item no. | (L) 1000mm | ca. 190g | 500-833-01000 | (L) 2000mm | ca. 380g | 500-833-02000 | (L) 3000mm | ca. 570g | 500-833-03000 | (L) 4000mm | ca. 760g | 500-833-04000 | (L) 5000mm | ca. 950g | 500-833-05000 | (L) 6000mm * | ca. 1140g | 500-833-06000 | Profilzuschnitt | typ. 190g/m | 500-833-0 |
| Abmessungen | Gewicht | Artikelnr | | | | | | | | | | | | | | | | | | | | | | | | | | | |
| dimensions | weight | item no. | | | | | | | | | | | | | | | | | | | | | | | | | | | |
| (L) 1000mm | ca. 190g | 500-833-01000 | | | | | | | | | | | | | | | | | | | | | | | | | | | |
| (L) 2000mm | ca. 380g | 500-833-02000 | | | | | | | | | | | | | | | | | | | | | | | | | | | |
| (L) 3000mm | ca. 570g | 500-833-03000 | | | | | | | | | | | | | | | | | | | | | | | | | | | |
| (L) 4000mm | ca. 760g | 500-833-04000 | | | | | | | | | | | | | | | | | | | | | | | | | | | |
| (L) 5000mm | ca. 950g | 500-833-05000 | | | | | | | | | | | | | | | | | | | | | | | | | | | |
| (L) 6000mm * | ca. 1140g | 500-833-06000 | | | | | | | | | | | | | | | | | | | | | | | | | | | |
| Profilzuschnitt | typ. 190g/m | 500-833-0 | | | | | | | | | | | | | | | | | | | | | | | | | | | |
| * Lieferung in Herstelllänge ca. 6050-6100mm Toleranzen nach DIN EN 12020-2 * delivery in standard length as produced approx. 6050-6100mm tolerances according to DIN EN 12020-2 | | | | | | | | | | | | | | | | | | | | | | | | | | | | | |
| Montagehinweis: Aufgrund unterschiedlicher Temperaturkoeffizienten der Materialien Aluminium und PMMA oder PC, sind bei einer Temperaturveränderung von 20°C Ausdehnungsunterschiede von bis zu 1,2mm je Meter möglich. Assembly instructions: Due to different temperature coefficient of materials aluminum and PMMA or PC, temperature changes of 20°C can cause an expansion difference of up to 1.2mm per meter. | | | | | | | | | | | | | | | | | | | | | | | | | | | | | |

Montage / assembling

**ZUBEHOER**

501-841-11000 // UNI 152, PC Abdeckprofil 15,2 x 4,4 mm, farblos

501-841-51000 // UNI 152, PC Abdeckprofil 15,2 x 4,4 mm, opal satiniert

550-494-86 // ULTIMATE SLOPE, Profilendstück links

550-495-86 // ULTIMATE SLOPE, Profilendstück rechts

550-490-86 // ULTIMATE-LINE Profilbefestigungsring

550-875-86 // ULTIMATE-LINE Profilbefestigungsmagnet