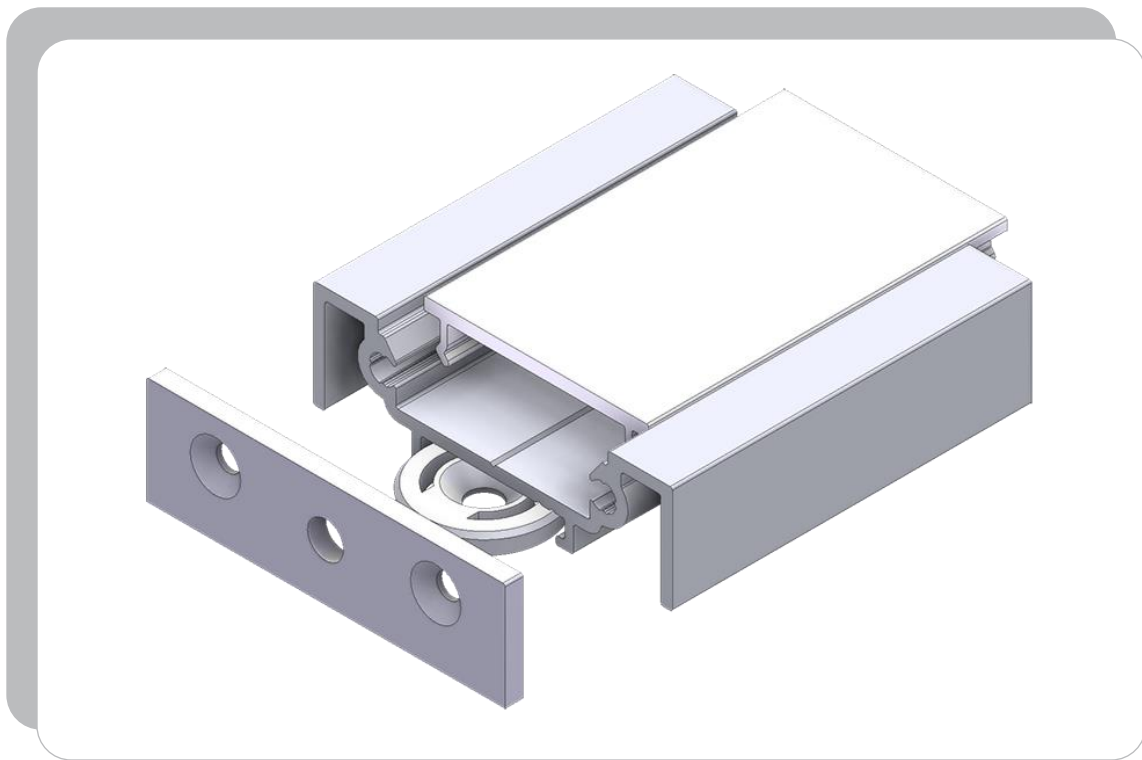
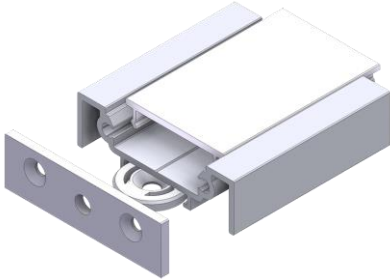
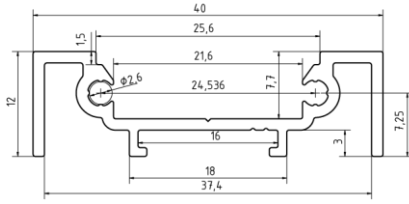
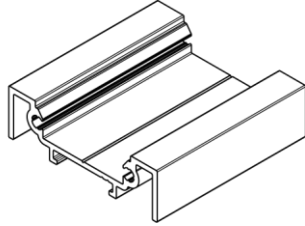


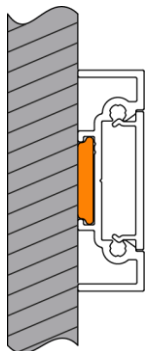
LED Profile

ULTIMATE



| Drees GmbH Sundern / GERMANY | ULTIMATE 500-863-XXXX | Kategorie: LED Profile | | | | | | | | | | | | | | | | | | | | | | | | | | | |
|---|--|---|-------------|---------|-----------|------------|--------|----------|--------------|-----------|---------------|--------------|-----------|---------------|--------------|------------|---------------|--------------|------------|---------------|--------------|------------|---------------|---------------|------------|---------------|-------------------------|-------------|-----------|
| | | 07.01.2020 | | | | | | | | | | | | | | | | | | | | | | | | | | | |
| | | R001 | | | | | | | | | | | | | | | | | | | | | | | | | | | |
|  |  |  | | | | | | | | | | | | | | | | | | | | | | | | | | | |
| ULTIMATE FLAT LED Alu Profil, silberfarbig für flexible LED Leiterplatten bis zu einer Breite von 20mm. ULTIMATE FLAT LED aluminium profile, silver for flexible LED-PCB with a breadth of up to 20mm. | | | | | | | | | | | | | | | | | | | | | | | | | | | | | |
| Technische Daten / specifications: Material Aluminium Al Mg Si 0,5 F 22, eloxiert E6/EV1 12my material | | | | | | | | | | | | | | | | | | | | | | | | | | | | | |
| <table border="1" style="width: 100%; border-collapse: collapse;"> <thead> <tr> <th style="text-align: left;">Abmessungen</th> <th style="text-align: left;">Gewicht</th> <th style="text-align: left;">Artikelnr</th> </tr> <tr> <th style="text-align: left;">dimensions</th> <th style="text-align: left;">weight</th> <th style="text-align: left;">item no.</th> </tr> </thead> <tbody> <tr> <td>1000x12x40mm</td> <td>typ. 400g</td> <td>500-863-01000</td> </tr> <tr> <td>2000x12x40mm</td> <td>typ. 800g</td> <td>500-863-02000</td> </tr> <tr> <td>3000x12x40mm</td> <td>typ. 1200g</td> <td>500-863-03000</td> </tr> <tr> <td>4000x12x40mm</td> <td>typ. 1600g</td> <td>500-863-04000</td> </tr> <tr> <td>5000x12x40mm</td> <td>typ. 2000g</td> <td>500-863-05000</td> </tr> <tr> <td>6000*x12x40mm</td> <td>typ. 2400g</td> <td>500-863-06000</td> </tr> <tr> <td>Profilzuschnitt 12x40mm</td> <td>typ. 400g/m</td> <td>500-863-0</td> </tr> </tbody> </table> | | | Abmessungen | Gewicht | Artikelnr | dimensions | weight | item no. | 1000x12x40mm | typ. 400g | 500-863-01000 | 2000x12x40mm | typ. 800g | 500-863-02000 | 3000x12x40mm | typ. 1200g | 500-863-03000 | 4000x12x40mm | typ. 1600g | 500-863-04000 | 5000x12x40mm | typ. 2000g | 500-863-05000 | 6000*x12x40mm | typ. 2400g | 500-863-06000 | Profilzuschnitt 12x40mm | typ. 400g/m | 500-863-0 |
| Abmessungen | Gewicht | Artikelnr | | | | | | | | | | | | | | | | | | | | | | | | | | | |
| dimensions | weight | item no. | | | | | | | | | | | | | | | | | | | | | | | | | | | |
| 1000x12x40mm | typ. 400g | 500-863-01000 | | | | | | | | | | | | | | | | | | | | | | | | | | | |
| 2000x12x40mm | typ. 800g | 500-863-02000 | | | | | | | | | | | | | | | | | | | | | | | | | | | |
| 3000x12x40mm | typ. 1200g | 500-863-03000 | | | | | | | | | | | | | | | | | | | | | | | | | | | |
| 4000x12x40mm | typ. 1600g | 500-863-04000 | | | | | | | | | | | | | | | | | | | | | | | | | | | |
| 5000x12x40mm | typ. 2000g | 500-863-05000 | | | | | | | | | | | | | | | | | | | | | | | | | | | |
| 6000*x12x40mm | typ. 2400g | 500-863-06000 | | | | | | | | | | | | | | | | | | | | | | | | | | | |
| Profilzuschnitt 12x40mm | typ. 400g/m | 500-863-0 | | | | | | | | | | | | | | | | | | | | | | | | | | | |
| * Lieferung in Herstelllänge ca. 6050-6100mm Toleranzen nach DIN EN 12020-2 * delivery in standard length as produced approx. 6050-6100mm tolerances according to DIN EN 12020-2 | | | | | | | | | | | | | | | | | | | | | | | | | | | | | |

Montage / assembling



ZUBEHOER

501-864-01000 // ULTIMATE FLAT Kunststoff-Deckelprofil 25 x 5,9mm, transparent

501-864-51000 // ULTIMATE FLAT Kunststoff-Deckelprofil 25 x 5,9mm, opal

550-465-86 // ULTIMATE FLAT Profilendstück mit Kabelloch,

550-466-86 // ULTIMATE FLAT Profilendstück ohne Kabelloch,

550-490-86 // ULTIMATE-LINE Profilbefestigungsring

550-875-86 // ULTIMATE-LINE Profilbefestigungsmagnet

Montagehinweis: Aufgrund unterschiedlicher Temperaturkoeffizienten der Materialien Aluminium und PMMA oder PC, sind bei einer Temperaturveränderung von 20°C Ausdehnungsunterschiede von bis zu 1,2mm je Meter möglich.

Assembly instructions: Due to different temperature coefficient of materials aluminum and PMMA or PC, temperature changes of 20°C can cause an expansion difference of up to 1.2mm per meter.